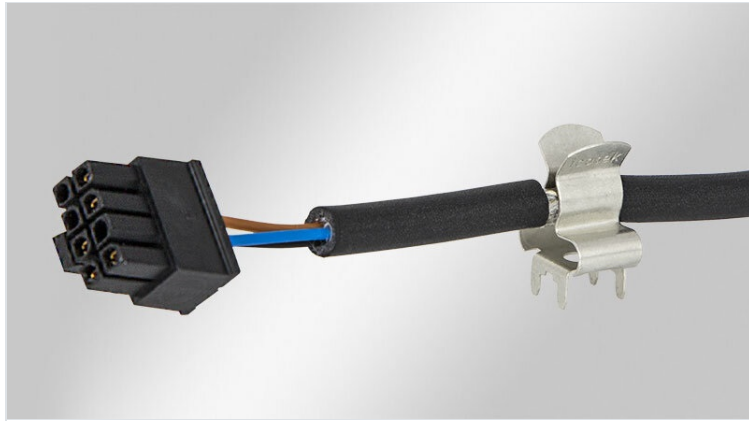


EMC shield clamps for printed circuit boards

with soldering foot



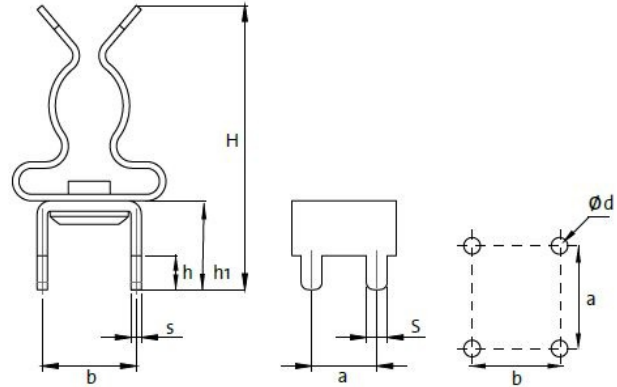
RoHS compliant



Made in Germany

EMC shield clamps are used, where the shield of cables must be connected to the earth potential. They are easy to use and effective in earthing single cable shields.

PCB|SKL consist of SKL clamps, fixed on a soldering foot that enables assembly on printed circuit boards. There are various designs to choose from.



Specifications

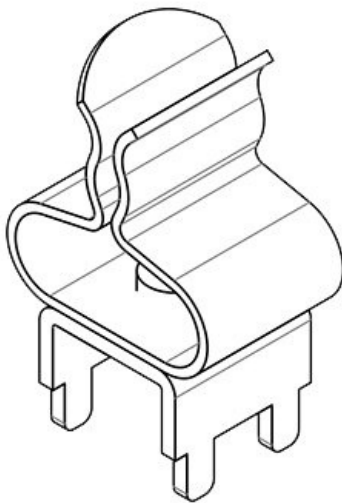
Material	Shield clamp: Spring steel, zinc plated Mounting foot: Brass, tinned
Mounting options	Soldering

Advantages & Benefits

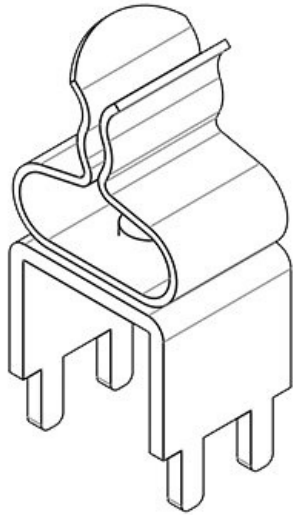
- The spring design requires no adjustments and will permanently maintain contact to the cable shield
- Large contact area

Product types & Sizes

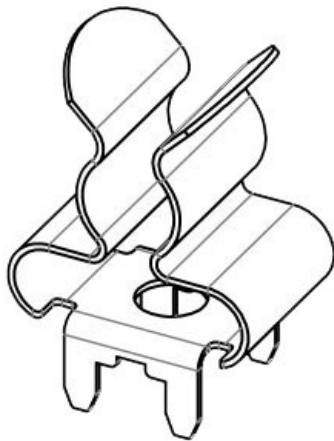
PCB-4-V-6.8|SKL 1.5-3



Part No.	36650.1	Length	8 mm
EAN	4251269303	Width	11,8 mm
	128	Height	20 mm
Package quantity	10	Mounting height	13,2 mm
No. of shield clamps	1	Thickness s	1 mm
For max. no. of cables	1	Soldering foot height H	6,8 mm
Min. shield diam.	1,5 mm	Pin S	1,6 mm
Max. shield diam.	3 mm	Pin h	2,6 mm
		Grid a x b	5 x 7.2 mm
		Hole size	1.8

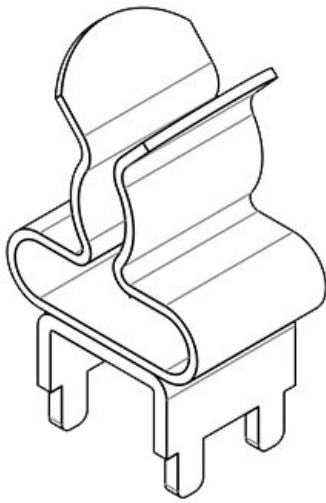


Part No.	36656.1	Length	9,2 mm
EAN	4251269303	Width	11,8 mm
	159	Height	25 mm
Package quantity	10	Mounting height	21 mm
No. of shield clamps	1	Thickness s	1 mm
For max. no. of cables	1	Soldering foot height H	12,5 mm
Min. shield diam.	1,5 mm	Pin S	1,6 mm
Max. shield diam.	3 mm	Pin h	4 mm
		Grid a x b	5 x 10.1 mm
		Hole size	1.8

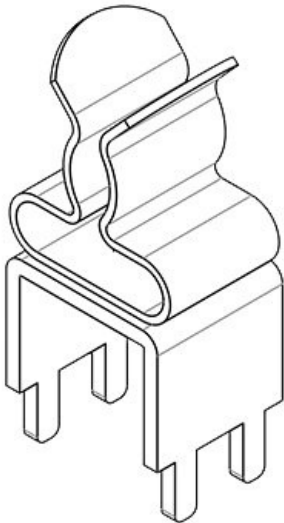


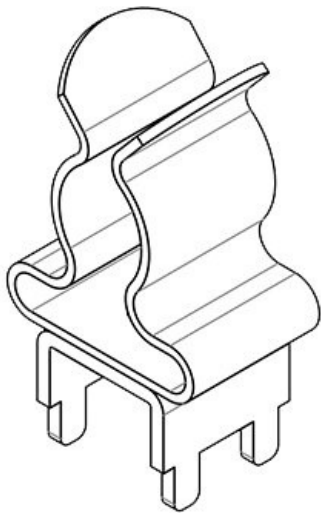
Part No.	36653.1	Length	8 mm
EAN	4251269319	Width	11,8 mm
	273	Height	17,5 mm
Package quantity	25	Mounting height	14,9 mm
No. of shield clamps	1	Soldering foot height H	4,4 mm
For max. no. of cables	1	Pin S	1,6 mm
Min. shield diam.	3 mm	Pin h	2,6 mm
Max. shield diam.	6 mm	Grid a x b	5 x 7.2 mm
		Hole size	1.8

Part No.	36650.2	Length	8 mm
EAN	4251269303	Width	11,8 mm
	135	Height	20 mm
Package quantity	10	Mounting height	13,2 mm
No. of shield clamps	1	Thickness s	1 mm
For max. no. of cables	1	Soldering foot height H	6,8 mm
Min. shield diam.	3 mm	Pin S	1,6 mm
Max. shield diam.	6 mm	Pin h	2,6 mm
		Grid a x b	5 x 7.2 mm
		Hole size	1.8

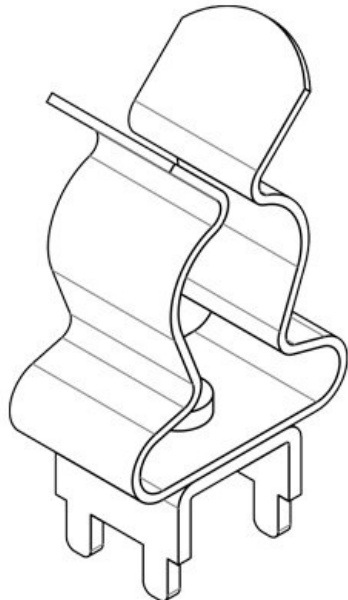


Part No.	36656.2	Length	9,2 mm
EAN	4251269303	Width	11,8 mm
	166	Height	25 mm
Package quantity	10	Mounting height	21 mm
No. of shield clamps	1	Thickness s	1 mm
For max. no. of cables	1	Soldering foot height H	12,5 mm
Min. shield diam.	3 mm	Pin S	1,6 mm
Max. shield diam.	6 mm	Pin h	4 mm
		Grid a x b	5 x 10.1 mm
		Hole size	1.8



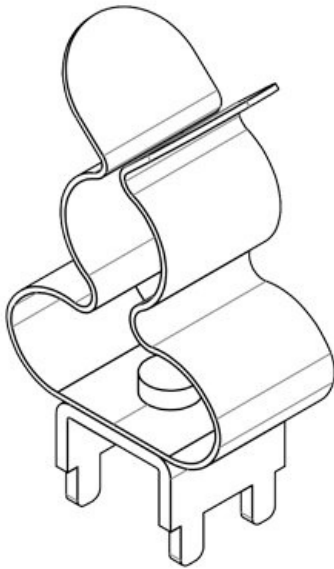


Part No.	36650.3	Length	8 mm
EAN	4251269303	Width	11,8 mm
	142	Height	22 mm
Package quantity	10	Mounting height	15,2 mm
No. of shield clamps	1	Soldering foot height H	6,8 mm
For max. no. of cables	1	Pin S	1,6 mm
Min. shield diam.	6 mm	Pin h	2,6 mm
Max. shield diam.	8 mm	Grid a x b	5 x 7.2 mm
		Hole size	1.8



Part No.	36650.4	Length	8 mm
EAN	4251269334	Width	11,8 mm
	283	Height	27 mm
Package quantity	10	Mounting height	20,2 mm
No. of shield clamps	1	Soldering foot height H	6,8 mm
For max. no. of cables	1	Pin S	1,6 mm
Min. shield diam.	8 mm	Pin h	2,6 mm
Max. shield diam.	11 mm	Grid a x b	5 x 7.2 mm
		Hole size	1.8

Part No.	37306	Length	8 mm
EAN	4251269333	Width	11,8 mm
	279	Height	27 mm
Package quantity	10	Mounting height	20,2 mm
No. of shield clamps	1	Soldering foot height H	6,8 mm
For max. no. of cables	1	Pin S	1,6 mm
Min. shield diam.	3 mm	Pin h	2,6 mm
Max. shield diam.	12 mm	Grid a x b	5 x 7.2 mm
		Hole size	1.8



Part No.	36656.3	Length	9,2 mm
EAN	4251269303	Width	11,8 mm
	173	Height	27 mm
Package quantity	10	Mounting height	23 mm
No. of shield clamps	1	Thickness s	1 mm
For max. no. of cables	1	Soldering foot height H	12,5 mm
Min. shield diam.	6 mm	Pin S	1,6 mm
Max. shield diam.	8 mm	Pin h	4 mm
		Grid a x b	5 x 10.1 mm
		Hole size	1.8

